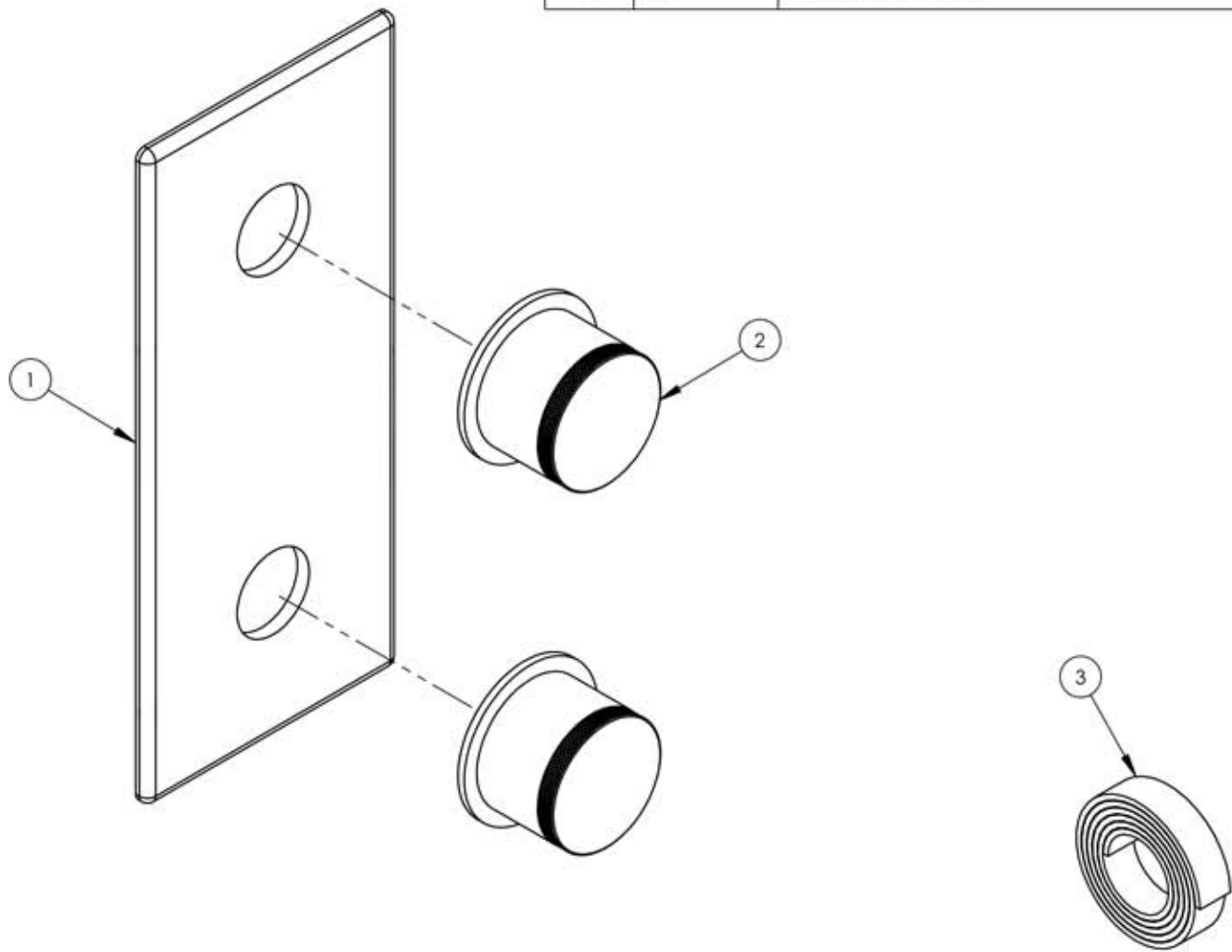


ITEM NO.	PART NUMBER	DESCRIPTION	QTY.
1	11204/00	PLATE, TWO HANDLE FLAT RADII EDGE	1
2	3-329/00	SUB ASSY. KNURLED HANDLE, BASIC II	2
3	90537	1/16" TAPE FOR WALL PLATE	1



A
B
C
D
E

ZONE	REV.	DESCRIPTION	DATE	APPROVED
REVISIONS				

1261 LOGAN AVENUE
COSTA MESA, CALIFORNIA 92626
PHONE: 714.361.4800
FAX: 714.617.3120

PHYLTRICH®

Defining Luxury Since 1959

PROPRIETARY AND CONFIDENTIAL
THE INFORMATION CONTAINED IN THIS DRAWING IS THE SOLE PROPERTY OF RSS MANUFACTURING. ANY REPRODUCTION IN PART OR AS A WHOLE WITHOUT THE WRITTEN PERMISSION OF RSS MANUFACTURING IS PROHIBITED.

-	-	INTERPRET GEOMETRIC DIMENSIONING & TOLERANCING IN ACCORDANCE WITH ASME Y14.5-2009 & ASME Y14.41-2003 STANDARDS, UNLESS OTHERWISE SPECIFIED. DIMENSIONS ARE IN INCHES. TOLERANCES ARE:		
NEXT ASSY	USED ON	FRACTIONS ±1/64"	DECIMALS X.X: ±.1 X.XX: ±.01 X.XXX: ±.005	ANGULAR ±.5°
APPLICATION		MATERIAL	NAME	DATE
FINISH		DRAWN	LLO	3/11/2015
DO NOT SCALE DRAWING		CHECKED	GRE	

1/2" MINI THERM. TRIM, 2 HANDLE KNURLED, BASIC II

SIZE A	ASM/PRT NO. 4-168/00	REV -
SCALE: 1:2	WEIGHT: lbs.	SHEET 1 OF 2